



## DDSU666 Single Phase DIN-Rail Meter



LCD Type

### Function

- LCD Display
- Bi-Direction Measurement
- DIN-Rail Installation

### Features



HIGH ACCURACY



LOW CONSUMPTION

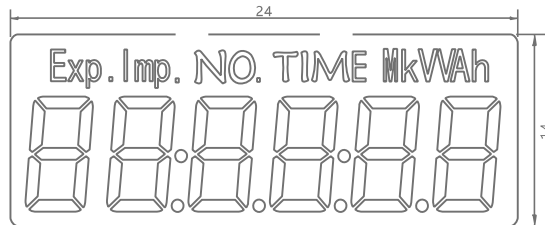


BI-DIRECTION  
MEASUREMENT



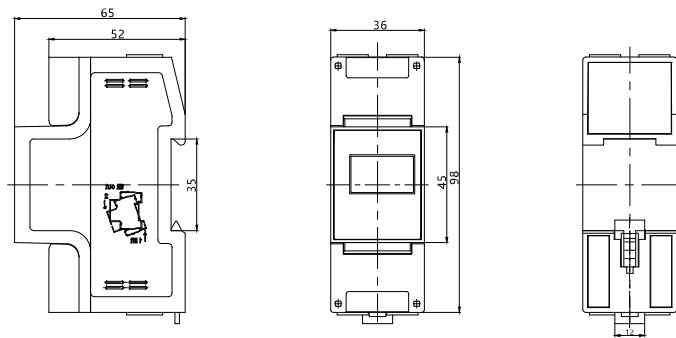
LARGE LCD  
DISPLAY

### LCD Indication



Units: mm

### Meter Dimensions



Units: mm



## DDSU666 Single Phase DIN-Rail Meter

### Specifications

#### Measurement

- Compliance with IEC60252-11 IEC62053-21
- Connection type: 1P2W
- Accuracy: Class 1.0 for active

#### Voltage

- Nominal voltage (Un): 120V, 220V, 230V, 240V
- Operating range: 0.7Un ~ 1.2Un
- Power consumption:  $\leq 1W$ , 5VA

#### Current

- CT: 1.5(6)A
- DC: 5(80)A

#### Frequency

- 50Hz or 60Hz

#### LCD Display

- 7 characters of 7 segment display
- Digital size: 5.3mm  $\times$  2.8mm

#### LED Display

- Number of flashes per kWh

#### Measured Values

- Total kWh
- Instantaneous kW
- Instantaneous Irms, Vrms, frequency, power factor

#### Communications

- RS485
- Protocol: Modbus and DL/T

#### Environmental

- Operating range limit: -40°C to +75°C
- Storage range limit: -40°C to +85°C
- Relative humidity:  $\leq 95\%RH$
- Ingress protection: IP54

#### Dimensions and Weight

- Dimensions: 98mm  $\times$  65mm  $\times$  36mm
- Weight: 0.2 kg (Approx.)